

ALLEGHENY COUNTY HEALTH DEPARTMENT



AIR QUALITY PROGRAM
301 39th Street, Bldg. #7
Pittsburgh, PA 15201-1891

Synthetic Minor Source Operating Permit

<u>Issued To:</u>	Lindy Paving Incorporated	<u>ACHD Permit #:</u>	0214
<u>Facility:</u>	Lindy Paving Incorporated 2340 Second Avenue Pittsburgh, PA 15219	<u>Date of Issuance:</u>	08/26/2014
		<u>Expiration Date:</u>	08/25/2019
		<u>Renewal Date:</u>	02/25/2019

Issued By: 
Sandra L. Etzel
Air Pollution Control Mgr.

Prepared By: Michael Dorman
Air Quality Engineer

TABLE OF CONTENTS

I. CONTACT INFORMATION.....3

II. FACILITY DESCRIPTION4

III. GENERAL CONDITIONS - MINOR SOURCE6

IV. SITE LEVEL TERMS AND CONDITIONS.....14

V. EMISSION UNIT LEVEL TERMS AND CONDITIONS.....24

A. PROCESS P001: HOT MIX ASPHALT PLANT 24

B. PROCESS P002: LIQUID ASPHALT TANK HEATER AND TANKS 29

VI. MISCELLANEOUS31

A. PROCESS P003: ASPHALT SILOS AND DRAG CONVEYOR..... 31

B. PROCESS P004: AGGREGATE STOCKPILES 33

C. PROCESS F001: ROADS AND VEHICLES 35

D. PROCESS D001: DIESEL FUEL STORAGE TANK 37

VII. ALTERNATIVE OPERATING SCENARIOS39

VIII. EMISSIONS LIMITATIONS SUMMARY40

AMENDMENTS:

DATE	SECTION(S)
8-25-2014	§I: The address of the “Permittee/Owner” was corrected; §II: The facility description was corrected. This change in language answered Comments 2 and 3; §III: Added Condition III.15.e which allows for electronic submission of semi-annual reports; §V The requirement for formaldehyde testing was removed.



I. CONTACT INFORMATION

Facility Location: **Lindy Paving Incorporated**
2340 Second Avenue
Pittsburgh, PA 15219

Permittee/Owner: **Lindy Paving Incorporated**
1807 Shenango Road
New Galilee, PA 16141

Permittee/Operator:
(if not Owner)

Responsible Official: **Paul Reiner**
Title: General Manager
Company: Lindy Paving Incorporated
Address: 2340 Second Avenue
Pittsburgh, PA 15219-3106

Telephone Number: 412-281-4389
Fax Number: 412-462-6121

Facility Contact: **Paul Reiner**
Title: General Manager
Telephone Number: 412-281-4389
Fax Number: 412-462-6121
E-mail Address: **preiner@trumbullcorp.com**

AGENCY ADDRESSES:

ACHD Contact: **Chief Engineer**
Allegheny County Health Department
Air Quality Program
301 39th Street, Building #7
Pittsburgh, PA 15201-1891

II. FACILITY DESCRIPTION

The Lindy Paving Second Ave. facility produces bituminous concrete paving in a counter-flow drum mix asphalt plant. In this type of plant, the material flow in the drum is opposite or counter-flow to the direction of exhaust gases. In addition, the liquid asphalt cement mixing zone is located behind the burner flame zone so as to remove the materials from direct contact with hot exhaust gases.

The plant has a maximum potential production capacity of 600 tons of bituminous concrete per hour. Production is limited to 750,000 tons for any twelve consecutive month’s period and operations are limited to 2,500 hours for any twelve consecutive months. The mixer is supplied with a 200 MMBtu/hr low NO_x burner.

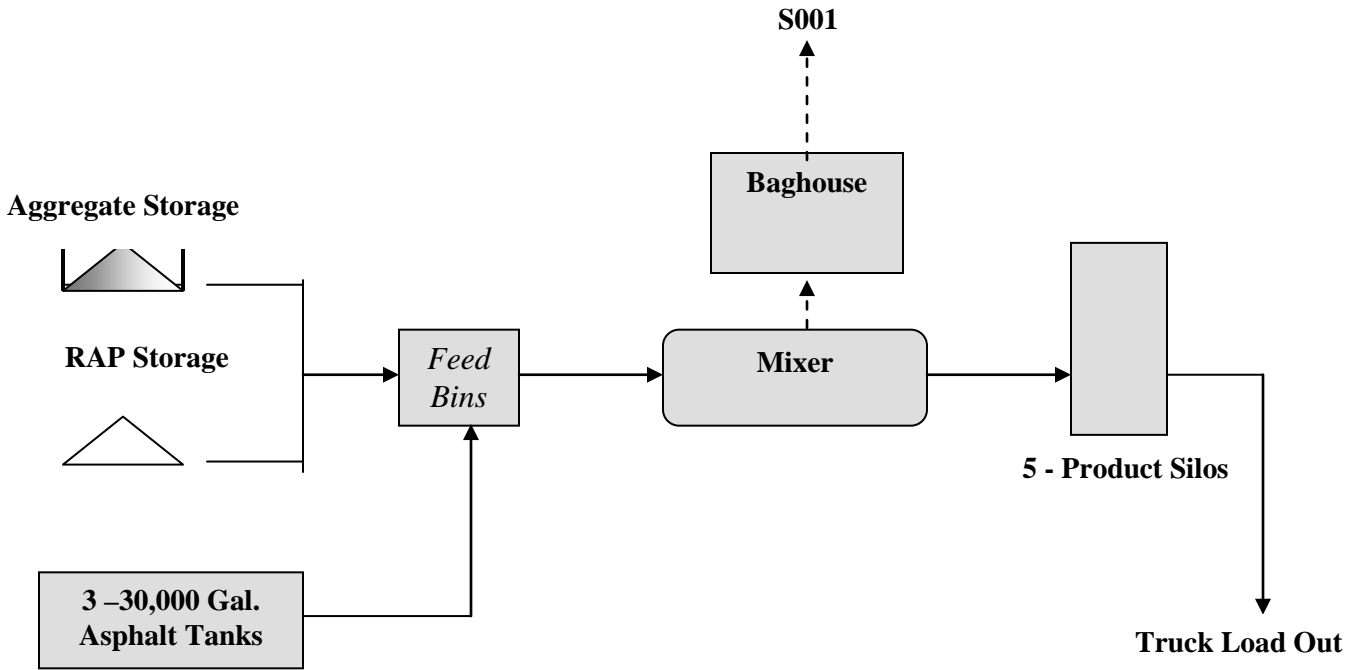
This facility is a synthetic minor source of carbon monoxide (CO) and volatile organic compounds (VOCs) and a minor source particulate matter (PM), particulate matter less than or equal to 10 microns in diameter (PM10), particulate matter less than or equal to 2.5 microns in diameter (PM2.5), sulfur dioxide (SO₂), nitrogen oxides (NO_x) and hazardous air pollutants (HAPs) as defined in section 2101.20 of Article XXI.

The emission units regulated by this permit are summarized in Table II-1:

TABLE II-1: Emission Unit Identification

I.D.	SOURCE DESCRIPTION	CONTROL DEVICE(S)	MAXIMUM CAPACITY	FUEL	STACK I.D.
P001	Hot Mix Asphalt Plant	Dryer Baghouse & Blue Smoke Capture System	600 tons asphalt/hr	Natural Gas	S001
P002	3 – Heated Aboveground Asphalt Cement Storage tanks	None	30,000 gallons - each	Natural Gas	S002
P003	5 - Product Storage Silos	None	Two (2) at 280 tons each and Three (3) at 300 tons each	NA	NA
P004	4 – Aggregate Storage Piles	Fugitive Dust Suppression & Pile Enclosures	4,500 tons to 7,500 tons	NA	NA
	1 – Recycled Asphalt Pavement Pile	None	15,000 tons	NA	NA
D001	Diesel Fuel Storage Tank	None	2,500 gal	Diesel Fuel	NA

Process Flow Diagram:



DECLARATION OF POLICY

Pollution prevention is recognized as the preferred strategy (over pollution control) for reducing risk to air resources. Accordingly, pollution prevention measures should be integrated into air pollution control programs wherever possible, and the adoption by sources of cost-effective compliance strategies, incorporating pollution prevention, is encouraged. The Department will give expedited consideration to any permit modification request based on pollution prevention principles.

The permittee is subject to the terms and conditions set forth below. These terms and conditions constitute provisions of Allegheny County Health Department Rules and Regulations, Article XXI Air Pollution Control. The subject equipment has been conditionally approved for operation. The equipment shall be operated in conformity with the plans, specifications, conditions, and instructions which are part of your application, and may be periodically inspected for compliance by the Department. In the event that the terms and conditions of this permit or the applicable provisions of Article XXI conflict with the application for this permit, these terms and conditions and the applicable provisions of Article XXI shall prevail. Additionally, nothing in this permit relieves the permittee from the obligation to comply with all applicable Federal, State and Local laws and regulations.

III. GENERAL CONDITIONS - Minor Source

1. Prohibition of Air Pollution (§2101.11)

It shall be a violation of this permit to fail to comply with, or to cause or assist in the violation of, any requirement of this permit, or any order or permit issued pursuant to authority granted by Article XXI. The permittee shall not willfully, negligently, or through the failure to provide and operate necessary control equipment or to take necessary precautions, operate any source of air contaminants in such manner that emissions from such source:

- a. Exceed the amounts permitted by this permit or by any order or permit issued pursuant to Article XXI;
- b. Cause an exceedance of the ambient air quality standards established by Article XXI §2101.10; or
- c. May reasonably be anticipated to endanger the public health, safety, or welfare.

2. Definitions (§2101.20)

- a. Except as specifically provided in this permit, terms used retain the meaning accorded them under the applicable provisions and requirements of Article XXI or the applicable federal or state regulation. Whenever used in this permit, or in any action taken pursuant to this permit, the words and phrases shall have the meanings stated, unless the context clearly indicates otherwise.
- b. Unless specified otherwise in this permit or in the applicable regulation, the term “year” shall mean any twelve (12) consecutive months.

3. Conditions (§2102.03.c)

It shall be a violation of this permit giving rise to the remedies provided by Article XXI §2109.02, for any person to fail to comply with any terms or conditions set forth in this permit.

4. Certification (§2102.01)

Any report or compliance certification submitted under this permit shall contain written certification by a responsible official as to truth, accuracy, and completeness. This certification and any other certification required under this permit shall be signed by a responsible official of the source, and shall state that, based on information and belief formed after reasonable inquiry, the statements and information in the document are true, accurate, and complete.

5. Transfers (§2102.03.e)

This permit shall not be transferable from one person to another, except in accordance with Article XXI §2102.03.e and in cases of change-in-ownership which are documented to the satisfaction of the Department, and shall be valid only for the specific sources and equipment for which this permit was issued. The transfer of permits in the case of change-in-ownership may be made consistent with the administrative permit amendment procedure of Article XXI §2103.14.b The required documentation and fee must be received by the Department at least 30 days before the intended transfer date.

6. Term (§2103.12.e, §2103.13.a)

- a. This permit shall remain valid for five (5) years from the date of issuance, or such other shorter period if required by the Clean Air Act, unless revoked. The terms and conditions of an expired permit shall automatically continue pending issuance of a new operating permit provided the permittee has submitted a timely and complete application and paid applicable fees required under Article XXI Part C, and the Department through no fault of the permittee is unable to issue or deny a new permit before the expiration of the previous permit.
- b. Expiration. Permit expiration terminates the source's right to operate unless a timely and complete renewal application has been submitted consistent with the requirements of Article XXI Part C.

7. Need to Halt or Reduce Activity Not a Defense (§2103.12.f.2)

It shall not be a defense for a permittee in an enforcement action that it would have been necessary to halt or reduce the permitted activity in order to maintain compliance with the conditions of this permit.

8. Property Rights (§2103.12.f.4)

This permit does not convey any property rights of any sort, or any exclusive privilege.

9. Duty to Provide Information (§2103.12.f.5)

- a. The permittee shall furnish to the Department in writing within a reasonable time, any information that the Department may request to determine whether cause exists for modifying, revoking and reissuing, or terminating the permit or to determine compliance with the permit. Upon request, the permittee shall also furnish to the Department copies of any records required to be kept by the permit.
- b. Upon cause shown by the permittee the records, reports, or information, or a particular portion thereof, claimed by the permittee to be confidential shall be submitted to the Department in accordance with the requirements of Article XXI, §2101.07.d.4. Information submitted to the

Department under a claim of confidentiality, shall be available to the US EPA and the PADEP upon request and without restriction. Upon request of the permittee the confidential information may be submitted to the USEPA and PADEP directly. Emission data or any portions of any draft, proposed, or issued permits shall not be considered confidential.

10. Modification of Section 112(b) Pollutants which are VOCs or PM₁₀ (§2103.12.f.7)

Except where precluded under the Clean Air Act or federal regulations promulgated under the Clean Air Act, if this permit limits the emissions of VOCs or PM₁₀ but does not limit the emissions of any hazardous air pollutants, the mixture of hazardous air pollutants which are VOCs or PM₁₀ can be modified so long as no permit emission limitations are violated. A log of all mixtures and changes shall be kept and reported to the Department with the next report required after each change.

11. Right to Access (§2103.12.h.2)

Upon presentation of credentials and other documents as may be required by law, the permittee shall allow authorized Department and other federal, state, county, and local government representatives to:

- a. Enter upon the permittee's premises where a permitted source is located or an emissions-related activity is conducted, or where records are or should be kept under the conditions of the permit;
- b. Have access to, copy and remove, at reasonable times, any records that must be kept under the conditions of the permit;
- c. Inspect at reasonable times any facilities, equipment (including monitoring and air pollution control equipment), practices, or operations regulated or required under the permit; and
- d. As authorized by either Article XXI or the Clean Air Act, sample or monitor at reasonable times substances or parameters for the purpose of assuring compliance with the permit or other applicable requirements.

12. Certification of Compliance (§2103.12.h.5)

- a. The permittee shall submit on an annual basis, certification of compliance with all terms and conditions contained in this permit, including emission limitations, standards, or work practices. The certification of compliance shall be made consistent with General Condition 4 above and shall include the following information at a minimum:
 - 1) The identification of each term or condition of the permit that is the basis of the certification;
 - 2) The compliance status;
 - 3) Whether any noncompliance was continuous or intermittent;
 - 4) The method(s) used for determining the compliance status of the source, currently and over the reporting period consistent with the provisions of this permit; and
 - 5) Such other facts as the Department may require to determine the compliance status of the source.
- b. All certifications of compliance must be submitted to the Department by August 31 of each year for the time period beginning July 1 of the previous year and ending June 30 of the same year. The first report shall be due August 31, 2015 for the time period beginning on the issuance date of this permit through June 30, 2014.

13. Record Keeping Requirements (§2103.12.j.1)

- a. The permittee shall maintain records of required monitoring information that include the following:
 - 1) The date, place as defined in the permit, and time of sampling or measurements;
 - 2) The date(s) analyses were performed;
 - 3) The company or entity that performed the analyses;
 - 4) The analytical techniques or methods used;
 - 5) The results of such analyses; and
 - 6) The operating parameters existing at the time of sampling or measurement.
- b. The permittee shall maintain and make available to the Department, upon request, records including computerized records that may be necessary to comply with the reporting and emission statements in Article XXI §2108.01.e. Such records may include records of production, fuel usage, maintenance of production or pollution control equipment or other information determined by the Department to be necessary for identification and quantification of potential and actual air contaminant emissions.

14. Retention of Records (§2103.12.j.2)

The permittee shall retain records of all required monitoring data and support information for a period of at least five (5) years from the date of the monitoring sample, measurement, report, or application. Support information includes all calibration and maintenance records and all original strip-chart recordings for continuous monitoring instrumentation, and copies of all reports required by this permit.

15. Reporting Requirements (§2103.12.k)

- a. The permittee shall submit reports of any required monitoring at least every six (6) months. All instances of deviations from permit requirements must be clearly identified in such reports. All required reports must be certified by the Responsible Official.
- b. Prompt reporting of deviations from permit requirements is required, including those attributable to upset conditions as defined in this permit and Article XXI §2108.01.c, the probable cause of such deviations, and any corrective actions or preventive measures taken.
- c. All reports submitted to the Department shall comply with the certification requirements of General Condition III.4 above.
- d. Semiannual reports required by this permit shall be submitted to the Department as follows:
 - 1) One semiannual report is due by July 31 of each year for the time period beginning January 1 and ending June 30.
 - 2) One semiannual report is due by January 31 of each year for the time period beginning July 1 and ending December 31.
- e. Reports required by this Condition shall be sent electronically to aqreports@achd.net.

16. Severability Requirement (§2103.12.l)

The provisions of this permit are severable, and if any provision of this permit is determined by a court of competent jurisdiction to be invalid or unenforceable, such a determination will not affect the remaining provisions of this permit.

17. Existing Source Reactivations (§2103.13.d)

The permittee shall not reactivate any source that has been out of operation or production for a period of one year or more unless the permittee has submitted a reactivation plan request to, and received a written reactivation plan approval from, the Department. Existing source reactivations shall meet all requirements of Article XXI §2103.13.d.

18. Administrative Permit Amendment Procedures (§2103.14.b)

An administrative permit amendment may be made consistent with the procedures of Article XXI §2103.14.b and §2103.24.b. Administrative permit amendments are not authorized for any amendment precluded by the Clean Air Act or the regulations there under.

19. Revisions and Minor Permit Modification Procedures (§2103.14.c)

Sources may apply for revisions and minor permit modifications on an expedited basis in accordance with Article XXI §2103.14.c and §2103.24.a.

20. Significant Permit Modifications (§2103.14.d)

Significant permit modifications shall meet all requirements of the applicable subparts of Article XXI, Part C, including those for applications, fees, public participation, review by affected States, and review by EPA, as they apply to permit issuance and permit renewal. The approval of a significant permit modification, if the entire permit has been reopened for review, shall commence a new full five (5) year permit term. The Department shall take final action on all such permits within nine (9) months following receipt of a complete application.

21. Duty to Comply (§2103.12.f.1)

The permittee shall comply with all permit conditions and all other applicable requirements at all times. Any permit noncompliance constitutes a violation of the Clean Air Act, the Air Pollution Control Act, and Article XXI and is grounds for any and all enforcement action, including, but not limited to, permit termination, revocation and reissuance, or modification, and denial of a permit renewal application.

22. Renewals (§2103.13.b.)

Renewal of this permit is subject to the same fees and procedural requirements, including those for public participation and affected State and EPA review, that apply to initial permit issuance. The application for renewal shall be submitted at least six (6) months but not more than eighteen (18) months prior to expiration of this permit. The application shall also include submission of a supplemental compliance review as required by Article XXI §2102.01.

23. Reopenings for Cause (§2103.15, §2103.12.f.3)

- a. This permit shall be reopened and reissued under any of the following circumstances:
- 1) Additional requirements under the Clean Air Act become applicable to a major source with a remaining permit term of three (3) or more years. No such reopening is required if the effective date of the requirement is later than the date on which the permit is due to expire, unless the original permit or any of its terms and conditions has been extended solely due to the failure of the Department to act on a permit renewal application in a timely fashion.
 - 2) Additional requirements, including excess emissions requirements, become applicable to an affected source under the acid rain program. Upon approval by the Administrator, excess emissions offset plans shall be deemed to be incorporated into this permit.
 - 3) The Department or EPA determines that this permit contains a material mistake or that inaccurate statements were made in establishing the emissions standards or other terms or conditions of this permit.
 - 4) The Administrator or the Department determines that this permit must be reissued or revoked to assure compliance with the applicable requirements.
- b. This permit may be modified; revoked, reopened, and reissued; or terminated for cause. The filing of a request by the permittee for a permit modification, revocation and reissuance, or termination, or of a notification of planned changes or anticipated noncompliance does not stay any permit condition. No permit revision shall be required, under any approved economic incentives, marketable permits, emissions trading, and other similar programs or processes, for changes that are provided for in this permit.

24. Annual Operating Permit Administration Fee (§2103.40)

In each year during the term of this permit, on or before the last day of the month in which the application for this permit was submitted, the permittee shall submit to the Department, in addition to any other applicable administration fees, an Annual Operating Permit Administration Fee in accordance with §2103.40. by check or money order payable to the “Allegheny County Air Pollution Control Fund” in the amount specified in the fee schedule applicable at that time.

25. Other Requirements not Affected (§2104.08, §2105.02)

Compliance with the requirements of this permit shall not in any manner relieve any person from the duty to fully comply with any other applicable Federal, State, or County statute, rule, regulation, or the like, including but not limited to the odor emission standards under Article XXI §2104.04, any applicable NSPSs, NESHAPs, MACTs, or Generally Achievable Control Technology (GACT) standards now or hereafter established by the EPA, and any applicable requirements of BACT or LAER as provided by Article XXI, any condition contained in any applicable Installation or Operating Permit and/or any additional or more stringent requirements contained in an order issued to such person pursuant to Article XXI Part I.

26. Termination of Operation (§2108.01.a)

In the event that operation of any source of air contaminants is permanently terminated, the person responsible for such source shall so report, in writing, to the Department within 60 days of such termination.

27. Tests by the Department (§2108.02.d)

Notwithstanding any tests conducted pursuant to Article XXI §2108.02, the Department or another entity designated by the Department may conduct emissions testing on any source or air pollution control equipment. At the request of the Department, the person responsible for such source or equipment shall provide adequate sampling ports, safe sampling platforms and adequate utilities for the performance of such tests.

28. Other Rights and Remedies Preserved (§2109.02.b)

Nothing in this permit shall be construed as impairing any right or remedy now existing or hereafter created in equity, common law or statutory law with respect to air pollution, nor shall any court be deprived of such jurisdiction for the reason that such air pollution constitutes a violation of this permit.

29. Enforcement and Emergency Orders (§2109.03, §2109.05)

- a. The person responsible for this source shall be subject to any and all enforcement and emergency orders issued to it by the Department in accordance with Article XXI §2109.03, §2109.04 and §2109.05.
- b. Upon request, any person aggrieved by an Enforcement Order or Emergency Order shall be granted a hearing as provided by Article XXI §2109.03.d; provided however, that an Emergency Order shall continue in full force and effect notwithstanding the pendency of any such appeal.
- c. Failure to comply with an Enforcement Order or immediately comply with an Emergency Order shall be a violation of this permit thus giving rise to the remedies provided by Article XXI §2109.02.

30. Penalties, Fines, and Interest (§2109.07.a)

A source that fails to pay any fee required under this permit when due shall pay a civil penalty of 50% of the fee amount, plus interest on the fee amount computed in accordance with Article XXI §2109.06.a.4 from the date the fee was required to be paid. In addition, the source may have this permit revoked for failure to pay any fee required.

31. Appeals (§2109.10)

In accordance with State Law and County regulations and ordinances, any person aggrieved by an order or other final action of the Department issued pursuant to Article XXI or any unsuccessful petitioner to the Administrator under Article XXI Part C, Subpart 2, shall have the right to appeal the action to the Director in accordance with the applicable County regulations and ordinances.

32. Circumvention (§2101.14)

For purposes of determining compliance with the provisions of this permit and Article XXI, no credit shall be given to any person for any device or technique, including but not limited to the operation of any source with unnecessary amounts of air, the combining of separate sources except as specifically permitted by Article XXI and the Department, the use of stacks exceeding Good Engineering Practice height as defined by regulations promulgated by the US EPA at 40 CFR §§51.100 and 51.110 and

Subpart I, and other dispersion techniques, which without reducing the amount of air contaminants emitted, conceals or dilutes an emission of air contaminants which would otherwise violate the provisions of this Article; except that, for purposes of determining compliance with Article §2104.04 concerning odors, credit for such devices or techniques, except for the use of a masking agent, may be given.

33. Duty to Supplement and Correct Relevant Facts (§2103.12.d.2)

- a. The permittee shall provide additional information as necessary to address requirements that become applicable to the source after the date it files a complete application but prior to the Department taking action on the permit application.
- b. The permittee shall provide supplementary fact or corrected information upon becoming aware that incorrect information has been submitted or relevant facts were not submitted.
- c. Except as otherwise required by this permit and Article XXI, the Clean Air Act, or the regulations thereunder, the permittee shall submit additional information as necessary to address changes occurring at the source after the date it files a complete application but prior to the Department taking action on the permit application.
- d. The applicant shall submit information requested by the Department which is reasonably necessary to evaluate the permit application.

34. Effect (§2102.03.g.)

- a. Except as specifically otherwise provided under Article XXI, Part C, issuance of a permit pursuant to Article XXI Part B or Part C shall not in any manner relieve any person of the duty to fully comply with the requirements of this permit, Article XXI or any other provision of law, nor shall it in any manner preclude or affect the right of the Department to initiate any enforcement action whatsoever for violations of this permit or Article XXI, whether occurring before or after the issuance of such permit. Further, except as specifically otherwise provided under Article XXI Part C the issuance of a permit shall not be a defense to any nuisance action, nor shall such permit be construed as a certificate of compliance with the requirements of this permit or Article XXI.

35. Installation Permits (§2102.04.a.1.)

It shall be a violation of this permit giving rise to the remedies set forth in Article XXI Part I for any person to install, modify, replace, reconstruct, or reactivate any source or air pollution control equipment which would require an installation permit or permit modification in accordance with Article XXI Part B or Part C.

IV. SITE LEVEL TERMS AND CONDITIONS

1. Reporting of Upset Conditions (§2103.12.k.2)

The permittee shall promptly report all deviations from permit requirements, including those attributable to upset conditions as defined in Article XXI §2108.01.c, the probable cause of such deviations, and any corrective actions or preventive measures taken.

2. Visible Emissions (§2104.01.a)

Except as provided for by Article XXI §2108.01.d pertaining to a cold start, no person shall operate, or allow to be operated, any source in such manner that the opacity of visible emissions from a flue or process fugitive emissions from such source, excluding uncombined water:

- a. Equal or exceed an opacity of 20% for a period or periods aggregating more than three (3) minutes in any sixty (60) minute period; or,
- b. Equal or exceed an opacity of 60% at any time.

3. Odor Emissions (§2104.04) (County-only enforceable)

No person shall operate, or allow to be operated, any source in such manner that emissions of malodorous matter from such source are perceptible beyond the property line.

4. Materials Handling (§2104.05)

The permittee shall not conduct, or allow to be conducted, any materials handling operation in such manner that emissions from such operation are visible at or beyond the property line.

5. Operation and Maintenance (§2105.03)

All air pollution control equipment required by this permit or any order under Article XXI, and all equivalent compliance techniques approved by the Department, shall be properly installed, maintained, and operated consistently with good air pollution control practice.

6. Open Burning (§2105.50)

No person shall conduct, or allow to be conducted, the open burning of any material, except where the Department has issued an Open Burning Permit to such person in accordance with Article XXI §2105.50 or where the open burning is conducted solely for the purpose of non-commercial preparation of food for human consumption, recreation, light, ornament, or provision of warmth for outside workers, and in a manner which contributes a negligible amount of air contaminants.

7. Shutdown of Control Equipment (§2108.01.b)

- a. In the event any air pollution control equipment is shut down for reasons other than a breakdown, the person responsible for such equipment shall report, in writing, to the Department the intent to shut down such equipment at least 24 hours prior to the planned shutdown. Notwithstanding the submission of such report, the equipment shall not be shut down until the approval of the Department is obtained; provided, however, that no such report shall be required if the source(s)

served by such air pollution control equipment is also shut down at all times that such equipment is shut down.

- b. The Department shall act on all requested shutdowns as promptly as possible. If the Department does not take action on such requests within ten (10) calendar days of receipt of the notice, the request shall be deemed denied, and upon request, the owner or operator of the affected source shall have a right to appeal in accordance with the provisions of Article XI.
- c. The prior report required by Site Level Condition IV.7.a above shall include:
 - 1) Identification of the specific equipment to be shut down, its location and permit number (if permitted), together with an identification of the source(s) affected;
 - 2) The reasons for the shutdown;
 - 3) The expected length of time that the equipment will be out of service;
 - 4) Identification of the nature and quantity of emissions likely to occur during the shutdown;
 - 5) Measures, including extra labor and equipment, which will be taken to minimize the length of the shutdown, the amount of air contaminants emitted, or the ambient effects of the emissions;
 - 6) Measures which will be taken to shut down or curtail the affected source(s) or the reasons why it is impossible or impracticable to shut down or curtail the affected source(s) during the shutdown; and
 - 7) Such other information as may be required by the Department.

8. Breakdowns (§2108.01.c)

- a. In the event that any air pollution control equipment, process equipment, or other source of air contaminants breaks down in such manner as to have a substantial likelihood of causing the emission of air contaminants in violation of this permit, or of causing the emission into the open air of potentially toxic or hazardous materials, the person responsible for such equipment or source shall immediately, but in no event later than sixty (60) minutes after the commencement of the breakdown, notify the Department of such breakdown and shall, as expeditiously as possible but in no event later than seven (7) days after the original notification, provide written notice to the Department.
- b. To the maximum extent possible, all oral and written notices required shall include all pertinent facts, including:
 - 1) Identification of the specific equipment which has broken down, its location and permit number (if permitted), together with an identification of all related devices, equipment, and other sources which will be affected.
 - 2) The nature and probable cause of the breakdown.
 - 3) The expected length of time that the equipment will be inoperable or that the emissions will continue.
 - 4) Identification of the specific material(s) which are being, or are likely to be emitted, together with a statement concerning its toxic qualities, including its qualities as an irritant, and its potential for causing illness, disability, or mortality.
 - 5) The estimated quantity of each material being or likely to be emitted.
 - 6) Measures, including extra labor and equipment, taken or to be taken to minimize the length of the breakdown, the amount of air contaminants emitted, or the ambient effects of the emissions, together with an implementation schedule.

- 7) Measures being taken to shut down or curtail the affected source(s) or the reasons why it is impossible or impractical to shut down the source(s), or any part thereof, during the breakdown.
- c. Notices required shall be updated, in writing, as needed to advise the Department of changes in the information contained therein. In addition, any changes concerning potentially toxic or hazardous emissions shall be reported immediately. All additional information requested by the Department shall be submitted as expeditiously as practicable.
- d. Unless otherwise directed by the Department, the Department shall be notified whenever the condition causing the breakdown is corrected or the equipment or other source is placed back in operation by no later than 9:00 AM on the next County business day. Within seven (7) days thereafter, written notice shall be submitted pursuant to Paragraphs a and b above.
- e. Breakdown reporting shall not apply to breakdowns of air pollution control equipment which occur during the initial startup of said equipment, provided that emissions resulting from the breakdown are of the same nature and quantity as the emissions occurring prior to startup of the air pollution control equipment.
- f. In no case shall the reporting of a breakdown prevent prosecution for any violation of this permit or Article XXI.

9. Cold Start (§2108.01.d)

In the event of a cold start on any fuel-burning or combustion equipment, except stationary internal combustion engines and combustion turbines used by utilities to meet peak load demands, the person responsible for such equipment shall report in writing to the Department the intent to perform such cold start at least 24 hours prior to the planned cold start. Such report shall identify the equipment and fuel(s) involved and shall include the expected time and duration of the startup. Upon written application from the person responsible for fuel-burning or combustion equipment which is routinely used to meet peak load demands and which is shown by experience not to be excessively emissive during a cold start, the Department may waive these requirements and may instead require periodic reports listing all cold starts which occurred during the report period. The Department shall make such waiver in writing, specifying such terms and conditions as are appropriate to achieve the purposes of Article XXI. Such waiver may be terminated by the Department at any time by written notice to the applicant.

10. Monitoring of Malodorous Matter Beyond Facility Boundaries (§2104.04)

The permittee shall take all reasonable action as may be necessary to prevent malodorous matter from becoming perceptible beyond facility boundaries. Further, the permittee shall perform such observations as may be deemed necessary along facility boundaries to insure that malodorous matter beyond the facility boundary in accordance with Article XXI §2107.13 is not perceptible and record all findings and corrective action measures taken.

11. Orders (§2108.01.f)

In addition to meeting the requirements of General Condition III.26 above and Site Level Conditions IV.7 above through IV.10 above, inclusive, the person responsible for any source shall, upon order by the Department, report to the Department such information as the Department may require in order to assess the actual and potential contribution of the source to air quality. The order shall specify a reasonable time

in which to make such a report.

12. Violations (§2108.01.g)

The failure to submit any report or update thereof required by General Condition III.26 above and Site Level Conditions IV.7 above through IV.11 above, inclusive, within the time specified, the knowing submission of false information, or the willful failure to submit a complete report shall be a violation of this permit giving rise to the remedies provided by Article XXI §2109.02.

13. Emissions Testing (§2108.02)

- a. **Orders.** The person responsible for any source shall, upon order by the Department, conduct, or cause to be conducted, such emissions tests as specified by the Department within such reasonable time as is specified by the Department. Test results shall be submitted in writing to the Department within 20 days after completion of the tests, unless a different period is specified in the Department's order. Emissions testing shall comply with all applicable requirements of Article XXI §2108.02.e.
- b. **Tests by the Department :** Notwithstanding any tests conducted pursuant to this permit, the Department or another entity designated by the Department may conduct emissions testing on any source or air pollution control equipment. At the request of the Department, the permittee shall provide adequate sampling ports, safe sampling platforms and adequate utilities for the performance of such tests.
- c. **Testing Requirements.** No later than 45 days prior to conducting any tests required by this permit, the person responsible for the affected source shall submit for the Department's approval a written test protocol explaining the intended testing plan, including any deviations from standard testing procedures, the proposed operating conditions of the source during the test, calibration data for specific test equipment and a demonstration that the tests will be conducted under the direct supervision of persons qualified by training and experience satisfactory to the Department to conduct such tests. In addition, at least 30 days prior to conducting such tests, the person responsible shall notify the Department in writing of the time(s) and date(s) on which the tests will be conducted and shall allow Department personnel to observe such tests, record data, provide pre-weighed filters, analyze samples in a County laboratory and to take samples for independent analysis. Test results shall be comprehensively and accurately reported in the units of measurement specified by the applicable emission limitations of this permit.
- d. Test methods and procedures shall conform to the applicable reference method set forth in this permit or Article XXI Part G, or where those methods are not applicable, to an alternative sampling and testing procedure approved by the Department consistent with Article XXI §2108.02.e.2.
- e. **Violations:** The failure to perform tests as required by this permit or an order of the Department, the failure to submit test results within the time specified, the knowing submission of false information, the willful failure to submit complete results, or the refusal to allow the Department, upon presentation of a search warrant, to conduct tests, shall be a violation of this permit giving rise to the remedies provided by Article XXI §2109.02.

14. Abrasive Blasting (§2105.51)

- a. Except where such blasting is a part of a process requiring an operating permit, no person shall conduct or allow to be conducted, abrasive blasting or power tool cleaning of any surface, structure, or part thereof, which has a total area greater than 1,000 square feet unless such abrasive blasting complies with all applicable requirements of Article XXI §2105.51.
- b. In addition to complying with all applicable provisions of §2105.51, no person shall conduct, or allow to be conducted, abrasive blasting of any surface unless such abrasive blasting also complies with all other applicable requirements of Article XXI unless such requirements are specifically addressed by §2105.51.

15. Asbestos Abatement (§2105.62, §2105.63)

In the event of removal, encasement, or encapsulation of Asbestos-Containing Material (ACM) at a facility or in the event of the demolition of any facility, the permittee shall comply with all applicable provisions of Article XXI §2105.62 and §2105.63.

16. Volatile Organic Compound Storage Tanks (§2105.12.a)

No person shall place or store, or allow to be placed or stored, a volatile organic compound having a vapor pressure of 1.5 psia or greater under actual storage conditions in any aboveground stationary storage tank having a capacity equal to or greater than 2,000 gallons but less than or equal to 40,000 gallons, unless there is in operation on such tank pressure relief valves which are set to release at the higher of 0.7 psig of pressure or 0.3 psig of vacuum or at the highest possible pressure and vacuum in accordance with State or local fire codes, National Fire Prevention Association guidelines, or other national consensus standard approved in writing by the Department. Petroleum liquid storage vessels that are used to store produced crude oil and condensate prior to lease custody transfer are exempt from these requirements.

17. Permit Source Premises (§2105.40)

- a. **General.** No person shall operate, or allow to be operated, any source for which a permit is required by Article XXI Part C in such manner that emissions from any open land, roadway, haul road, yard, or other premises located upon the source or from any material being transported within such source or from any source-owned access road, haul road, or parking lot over five (5) parking spaces:
 - 1) Are visible at or beyond the property line of such source;
 - 2) Have an opacity of 20% or more for a period or periods aggregating more than three (3) minutes in any sixty (60) minute period; or
 - 3) Have an opacity of 60% or more at any time.
- b. **Deposition on Other Premises.** Visible emissions from any solid or liquid material that has been deposited by any means from a source onto any other premises shall be considered emissions from such source within the meaning of Site Level Condition IV.17.a above.

18. Parking Lots and Roadways (§2105.42)

- a. The permittee shall not maintain for use, or allow to be used, any parking lot over 50 parking

spaces or used by more than 50 vehicles in any day or any other roadway carrying more than 100 vehicles in any day or 15 vehicles in any hour in such manner that emissions from such parking lot or roadway:

- 1) Are visible at or beyond the property line;
 - 2) Have an opacity of 20% or more for a period or periods aggregating more than three (3) minutes in any 60 minute period; or
 - 3) Have an opacity of 60% or more at any time.
- b. Visible emissions from any solid or liquid material that has been deposited by any means from a parking lot or roadway onto any other premises shall be considered emissions from such parking lot or roadway.
- c. Site Level Condition IV.18.a above shall apply during any repairs or maintenance done to such parking lot or roadway.
- d. Notwithstanding any other provision of this permit, the prohibitions of Site Level Condition IV.18 may be enforced by any municipal or local government unit having jurisdiction over the place where such parking lots or roadways are located. Such enforcement shall be in accordance with the laws governing such municipal or local government unit. In addition, the Department may pursue the remedies provided by Article XXI §2109.02 for any violations of Site Level Condition IV.18.

19. Permit Source Transport (§2105.43)

- a. No person shall transport, or allow to be transported, any solid or liquid material outside the boundary line of any source for which a permit is required by Article XXI Part C in such manner that there is any visible emission, leak, spill, or other escape of such material during transport.
- b. Notwithstanding any other provision of this permit, the prohibitions of Site Level Condition IV.19 may be enforced by any municipal or local government unit having jurisdiction over the place where such visible emission, leak, spill, or other escape of material during transport occurs. Such enforcement shall be in accordance with the laws governing such municipal or local government unit. In addition, the Department may pursue the remedies provided by Article XXI §2109.02 for any violation of Site Level Condition IV.19.

20. Construction and Land Clearing (§2105.45)

- a. No person shall conduct, or allow to be conducted, any construction or land clearing activities in such manner that the opacity of emissions from such activities:
- 1) Equal or exceed 20% for a period or periods aggregating more than three (3) minutes in any sixty (60) minute period; or
 - 2) Equal or exceed 60% at any time.
- b. Notwithstanding any other provision of this permit, the prohibitions of Site Level Condition IV.20 may be enforced by any municipal or local government unit having jurisdiction over the place where such construction or land clearing activities occur. Such enforcement shall be in accordance with the laws governing such municipal or local government unit. In addition, the Department may pursue the remedies provided by Article XXI §2109.02 for any violations of Site

Level Condition IV.20.

21. Mining (§2105.46)

No person shall conduct, or allow to be conducted, any mining activities in such manner that emissions from such activities:

- a. Are visible at or beyond the property line;
- b. Have an opacity of 20% or more for a period or periods aggregating more than three (3) minutes in any sixty (60) minute period; or,
- c. Have an opacity of 60% or more at any time.

22. Demolition (§2105.47)

- a. No person shall conduct, or allow to be conducted, any demolition activities in such manner that the opacity of the emissions from such activities equal or exceed 20% for a period or periods aggregating more than three (3) minutes in any 60 minute period.
- b. Notwithstanding any other provisions of this permit, the prohibitions of Site Level Condition IV.22 may be enforced by any municipal or local government unit having jurisdiction over the place where such demolition activities occur. Such enforcement shall be in accordance with the laws governing such municipal or local government unit. In addition, the Department may pursue the remedies provided by Article XXI §2109.02 for any violations of Site Level Condition IV.22.

23. Fugitive Emissions (§2105.49)

The person responsible for a source of fugitive emissions, in addition to complying with all other applicable provisions of this permit shall take all reasonable actions to prevent fugitive air contaminants from becoming airborne. Such actions may include, but are not limited to:

- a. The use of asphalt, oil, water, or suitable chemicals for dust control;
- b. The paving and maintenance of roadways, parking lots and the like;
- c. The prompt removal of earth or other material which has been deposited by leaks from transport, erosion or other means;
- d. The adoption of work or other practices to minimize emissions;
- e. Enclosure of the source; and
- f. The proper hooding, venting, and collection of fugitive emissions.

24. Episode Plans (§2106.02)

The permittee shall upon written request of the Department, submit a source curtailment plan, consistent with good industrial practice and safe operating procedures, designed to reduce emissions of air contaminants during air pollution episodes. Such plans shall meet the requirements of Article XXI §2106.02.

25. New Source Performance Standards (§2105.05)

- a. It shall be a violation of this permit giving rise to the remedies provided by §2109.02 of Article XXI for any person to operate, or allow to be operated, any source in a manner that does not comply with all requirements of any applicable NSPS now or hereafter established by the EPA,

except if such person has obtained from EPA a waiver pursuant to Section 111 or Section 129 of the Clean Air Act or is otherwise lawfully temporarily relieved of the duty to comply with such requirements.

- b. Any person who operates, or allows to be operated, any source subject to any NSPS shall conduct, or cause to be conducted, such tests, measurements, monitoring and the like as is required by such standard. All notices, reports, test results and the like as are required by such standard shall be submitted to the Department in the manner and time specified by such standard. All information, data and the like which is required to be maintained by such standard shall be made available to the Department upon request for inspection and copying.

26. Diesel Powered Mobile Vehicle Idling (§2105.92)

- a. **Applicability:** This Section applies to the operation of every diesel powered motor vehicle, except school buses:
- b. **General:**
 - 1) No Driver shall cause or allow the engine of any heavy duty diesel powered motor vehicle subject to this section to idle prior to, during layover between, at the destination of or at the conclusion of any trip or route for more than five (5) consecutive minutes, except under conditions described in subsection c, below.
 - 2) No Driver shall cause or allow the engine of any heavy duty diesel powered motor vehicle subject to this section to be accelerated while idling, unless such action is taken in order to operate vehicle mounted accessory or service equipment.
- c. **Exemptions.** This section does not apply for the period or periods during which idling is necessary for:
 - 1) **Traffic Conditions.**
 - a) For traffic conditions over which the driver has no control;
 - b) For an official traffic control device or signal; or
 - c) At the direction of a uniformed police officer or one of those persons authorized to direct traffic by the Vehicle Code, 67 Pa. Code §101.2
 - 2) **Boarding and Discharging Passengers.**
 - a) When vehicles intended for commercial passenger transportation are boarding or discharging passengers; or
 - b) When vehicles intended for transporting people with disabilities are boarding or discharging passengers.
 - 3) **Queuing.** When a vehicle, situated in a queue with other vehicles, must intermittently move forward to perform work or a service, and when shutting the vehicle engine off would impede the progress of the queue and is impracticable.
 - 4) **Turbo-Charged Diesel Engine Cool Down or Warm Up.** When the manufacturer's specifications require more time than the five minute limitation in §2105.92.b.1, above, to cool or warm up a turbo-charged diesel engine.

- 5) **Cold/Hot Weather.**
 - a) If the outside temperature is less than 40° F, then idling is allowed for a period or periods aggregating not more than 20 minutes in any 60 minute period; or
 - b) If the outside temperature is greater than 75° F and a vehicle is equipped with air conditioning, then idling is allowed for a period or periods aggregating not more than 20 minutes in any 60 minute period.
 - c) Notwithstanding subparagraphs a and b, in order to supply heat and air conditioning necessary for the comfort of the passengers, a vehicle intended for commercial passenger transportation may idle for up to 10 minutes prior to passenger boarding and anytime passengers are onboard.
 - d) The Department may, upon request of an owner or manager of a bus terminal, approve alternate limits for warm-up of buses stored outdoors at the terminal when the temperature is below 40° F. Such plan shall include enforceable time limits that minimize bus idling.
- 6) **Sleeping.** When idling is necessary to power a heater, air conditioner or any ancillary equipment during sleeping and resting in a truck or sleeper berth.
- 7) **Safety and Emergencies.**
 - a) To verify that the vehicle is in safe operating condition and equipped as required by all provisions of law, and all equipment is in good working order, either as part of the driver's daily vehicle inspection, or as otherwise needed;
 - b) To operate defrosters, or other equipment to ensure the safe operation of the vehicle, or as otherwise required by federal or state motor carrier safety regulations, or other requirements; or
 - c) Use of vehicle as an emergency vehicle.
- 8) **Operability and Maintenance**
 - a) To provide power for vehicle mounted accessory or service equipment; or
 - b) When being operated by a mechanic for testing, servicing, repairing or diagnostic purposes.

27. In-Use Off-Road Diesel Powered Mobile Equipment Engine Idling (§2105.93)

- a. **Applicability:** This Section applies to any person or business that owns or operates any diesel-fueled off-road compression ignition vehicle engine with maximum power of 25 horsepower (hp) or greater that is used to provide motive power in any vehicle that:
 - 1) Is not designed to or cannot be registered and driven safely on-road; and
 - 2) Is not an implement of husbandry.

Vehicles with engines subject to this Section are used in construction, mining, rental, landscaping, recycling, landfilling, manufacturing, warehousing, composting, airport ground support equipment, industrial, and other operations. This Section does not apply to locomotives, commercial marine vessels, marine engines, recreational vehicles, or military equipment. This Section also does not apply to stationary or portable equipment, or equipment or vehicles used in agricultural operations, or equipment at ports or intermodal railyards. Off-road diesel vehicles owned and operated by an individual for personal, noncommercial purposes are exempt from the provisions of this Section

Permittees subject to this Condition shall comply with requirements of §2105.93.a through §2105.93.h of Article XXI

b. **General:**

- 1) No vehicles or engines subject to this Section may idle for more than five consecutive minutes, except as permitted under Subsection c;
- 2) Idling of a vehicle that is owned by a rental company is the responsibility of the renter or lessee; and
- 3) Equipment subject to this Subsection must be located away from sensitive receptors, such as building fresh air intakes, to the extent possible.

c. **Exemptions:** The idling limit does not apply to:

- 1) Idling necessary to ensure the safe operation of the equipment, including idling to verify that the equipment is in safe operating condition and equipped as required by all provisions of law, and all equipment is in good working order, either as part of the daily equipment inspection, or as otherwise needed.
- 2) Idling required to bring the machine system to operating temperature;
- 3) Idling for testing, servicing, repairing, or diagnostic purposes;
- 4) Engine operation necessary to accomplish work for which the equipment was designed (such as operating a crane);
- 5) Idling necessary for the operator's physical well being while accomplishing such work;
- 6) Idling when queuing, i.e., when an off-road vehicle, situated in a queue of other vehicles, must intermittently move forward to perform work or a service, and when shutting the vehicle engine off would impede the progress of the queue and be impractical. This does not include the time an operator may wait motionless in line in anticipation of the start of a workday or opening of a location where work or a service will be performed; and
- 7) Idling by any vehicle being used in an emergency or public safety capacity.

V. EMISSION UNIT LEVEL TERMS AND CONDITIONS

A. Process P001: Hot Mix Asphalt Plant

Process Description:	Counter current hot mix asphalt plant
Max. Design Rate/Units:	600 tons asphalt/hr, 750,000 tons asphalt/yr
Raw Materials:	Liquid asphalt, sand, limestone and RAP
Control Device(s):	Dryer/mixer baghouse, blue smoke capture system and fugitive dust suppression.

1. Restrictions

- a. The permittee shall not operate or allow to be operated, the hot mix asphalt plant in such manner that the opacity of visible emissions from a flue or process fugitive emissions from such source, excluding uncombined water: (§2104.01.a, IP 0214-I002a)
 - 1) Equal or exceed an opacity of 20% for a period or periods aggregating more than three (3) minutes in any sixty (60) minute period; (§2104.01.a, IP 0214-I002a) or,
 - 2) Equal or exceed an opacity of 60% at any time. (§2104.01.a, IP 0214-I002a)
- b. On and after the date on which the performance test required to be conducted by condition V.A.2.a below is completed, the permittee shall not discharge or cause the discharge into the atmosphere from any affected facility any gases which exhibit 20 percent opacity, or greater. (§60.92(2), IP 0214-I002a)
- c. The permittee shall not operate, or allow to be operated, the counter-current flow drum dryer/mixer unless the subject unit is properly operated and maintained according to the following conditions, at all times: (§2102.04.b.6, IP 0214-I002a)
 - 1) The filterable particulate matter emissions from the baghouse stack shall not exceed 0.01 grains/dscf. (60.92(a)(1), §2102.04.b.6, IP 0214-I002a)
 - 2) All exhaust from the dryer/mixer shall be vented through the dryer/mixer baghouse. The baghouse shall be equipped with automatic cleaning controls and instrumentation that shall continuously measure the differential pressure drop across the baghouse to within ½ psi of actual. (§2102.04.b.6, IP 0214-I002a)
 - 3) The differential pressure drop across the dryer/mixer baghouse shall not exceed 8.0" w.c., at any time. (§2102.04.b.6, IP 0214-I002a)
 - 4) The differential pressure drop across the dryer/mixer baghouse shall not be less than 1.0" w.c., at any time. (§2102.04.b.6, IP 0214-I002a)
 - 5) The dryer/mixer shall be fired with natural gas only and the heat input shall not exceed 200 MMBtu/hr. (§2102.04.b.6, IP 0214-I002a)
- d. The permittee shall not store, or allow to be stored, on-site aggregates, sands or RAP unless the material is stored under the following conditions: (§2102.04.b.6, IP 0214-I002a)
 - 1) All aggregate shall be washed aggregate (no fines) (§2102.04.b.6, IP 0214-I002a)

- 2) All aggregate and sands shall be kept in three-sided paved storage areas in such a manner as to minimize exposure to wind. (§2102.04.b.6, IP 0214-I002a)
 - 3) All aggregates, sands and RAP in-loading and transfers shall be done in such a manner as to minimize fugitive emissions. To include but not be limited to, such measures as minimizing transfer drop heights, minimizing pile activity and the use of water dust suppression, as necessary. (§2102.04.b.6, IP 0214-I002a)
 - 4) No aggregate, sand, gravel or other non-metallic mineral may be processed in the RAP crusher unless an installation permit is applied for in accordance with §2102.04, incorporating the conditions of the New Source Performance Standard for Nonmetallic Mineral Plants. (40 CFR 60, Subpart OOO, IP 0214-I002a)
 - 5) RAP may be stored on-site in a storage pile without enclosure in such a manner as to minimize fugitive emissions. To include but not be limited to, such measures as minimizing transfer drop heights, minimizing pile activity and the use of water dust suppression, as necessary. (§2102.04.b.6, IP 0214-I002a)
 - 6) The permittee shall not store or use foundry sand. (§2102.04.b.6, IP 0214-I002a)
- e. The permittee shall install, properly operate and maintain “blue smoke” capture and control technology on the subject plant at all times while producing hot mix asphalt according to the following: (§2102.04.b.6, IP 0214-I002a)
- 1) Blue smoke capture points shall be at the exit of the dryer/mixer drum, the bottom of the drag line conveyor, the top-of-silo traverse conveyor and the silo exhausts. (§2102.04.b.6, IP 0214-I002a)
 - 2) The plant components listed in Condition V.A.1.e.1) above shall be enclosed and have a negative air pressure with respect to the atmosphere at all times during hot mix asphalt production. (§2102.04.b.6, IP 0214-I002a)
 - 3) The plant shall be equipped with a fan that shall maintain the pressure differential on the plant components listed in Condition V.A.1.e.1) above and route all captured gases to the combustion zone of the dryer/mixer. (§2102.04.b.6, IP 0214-I002a)
- f. The permittee shall not operate, or allow to be operated, the asphalt concrete facility in excess of 600 tons of asphalt per hour, 2,500 hours of operation or 750,000 tons of product in any consecutive twelve-month period. (§2102.04.b.6, IP 0214-I002a)

- g. Emissions from dryer/mixer baghouse shall not exceed the following at any time (§2102.04.b.6, IP 0214-I002a):

POLLUTANT	LBS/TON	LBS/HR	TPY ¹
PARTICULATE MATTER ²	0.028	17.18	21.47
PM-10 ²	0.022	13.30	16.63
PM-2.5 ²	0.02	11.95	14.94
SULFUR OXIDES	0.026	2.04	1.28
NITROGEN OXIDES	0.045	27.00	16.88
CARBON MONOXIDE	0.13	78.00	48.75
VOLATILE ORGANIC COMPOUNDS	0.032	19.20	12.00
Total HAPs	0.005	3.30	2.07

¹ A year is defined as any 12 consecutive months.

² Includes condensable PM.

2. Testing Requirements

- a. The permittee shall demonstrate compliance with the PM, PM10, NO_x, VOC and CO limitations of Condition V.A.1.g above in accordance with the Site Level Condition IV.13 above and §60.8, of 40 CFR 60, Subpart A using U.S. EPA reference methods and procedures, test methods no. 1 through no. 5, for volumetric flowrate and filterable particulate matter, method 202 for condensable particulate, any of methods 7 through 7E for NO_x, method 25A or 25B for VOC and method 10 or 10B for CO. (§2102.04.b.6, §2108.02, §60.93(a), IP 0214-I002a)
- 1) The sampling time and sample volume for each run shall be at least 60 minutes and 50 dscf. (§2102.04.b.6, §2108.02, §60.93(a), IP 0214-I002a)
 - 2) All emissions tests shall be conducted during production of hot mix asphalt containing at maximum routine operating conditions including a maximum amount of recycled asphalt pavement (RAP). (§2102.04.b.6, §2108.02, §60.93(a), IP 0214-I002a)
 - 3) The following operating data shall be recorded during emission testing and included in the testing report for each test run; (§2102.04.b.6, §2108.02, §60.93(a), IP 0214-I002a)
 - a) Asphalt concrete production; (§2102.04.b.6, §2108.02, §60.93(a), IP 0214-I002a)
 - b) Mix composition including percent RAP; and (§2102.04.b.6, §2108.02, §60.93(a), IP 0214-I002a)
 - c) Mix temperature. (§2102.04.b.6, §2108.02, §60.93(a), IP 0214-I002a)
- b. The permittee shall determine compliance with the particulate matter standards in Conditions V.A.1.a above, V.A.1.b above, and V.A.1.c.1) above as follows: (§60.93(b), §2102.04.b.6, IP 0214-I002a)

- 1) Method 5 shall be used to determine the filterable particulate matter concentration. The sampling time and sample volume for each run shall be at least 60 minutes and 50 dscf. (§60.93(b)(1), §2102.04.b.6, IP 0214-I002a)
- 2) Method 9 and the procedures in 40 CFR §60.11 and the Allegheny County Health Department Source Testing Manual shall be used to determine opacity. (§60.93(b)(2), §2102.04.b.6, IP 0214-I002a)
- c. Emissions testing as specified in Condition V.A.2.a above for PM, PM₁₀, NO_x, VOC and CO shall be performed once every five years from the most recent stack test. (§2102.04.b.6, IP 0214-I002a)
- d. The Department reserves the right to require additional emissions testing sufficient to assure compliance with the terms and conditions of this permit. Such testing shall be performed in accordance with Article XXI §2108.02. (§2103.12.h.1, §2108.02, IP 0214-I002a)

3. Monitoring Requirements

- a. The permittee shall inspect the facility weekly to insure compliance with the specifications of Conditions V.A.1.c above, V.A.1.d above and V.A.1.e above. (§2102.04.b.6, §2102.04.e, IP 0214-I002a)
- b. The permittee shall determine the moisture content of each aggregate storage pile weekly. (§2102.04.b.6, §2102.04.e, IP 0214-I002a)
- c. The permittee shall inspect the aggregate dryer/asphalt mixer weekly while in operation to insure proper operation of the dryer/mixer inlet feed gate, outlet gate, all seals, flanges and ductwork, and integrity of the dryer/mixer unit and baghouse. (§2102.04.b.6, §2102.04.e, IP 0214-I002a)

4. Record Keeping Requirements

- a. The permittee shall keep and maintain the following data for the hot mix asphalt plant: (§2102.04.b.6, §2103.12.j, IP 0214-I002a)
 - 1) Material throughput of all aggregates, sands, RAP and liquid asphalt (monthly, 12-month rolling). (§2102.04.b.6, §2103.12.j, IP 0214-I002a)
 - 2) Plant hours of operation and production (daily). (§2102.04.b.6, §2103.12.j, IP 0214-I002a)
 - 3) The permittee shall keep material safety data sheets (MSDS) for all liquid asphalt used at the facility. (§2102.04.b.6, §2103.12.j, IP 0214-I002a)
 - 4) The results of the inspections and analyses required by Conditions V.A.3.a above and V.A.3.b above and the differential pressure drop across the plant dust collector (weekly). (§2102.04.b.6, §2103.12.j, IP 0214-I002a)
- b. The permittee shall record all instances of non-compliance with the conditions of this permit upon occurrence along with corrective action taken to restore compliance. (§2103.12.a.2.B, IP 0214-I002a)
- c. All records shall be retained by the facility for at least five (5) years. These records shall be made available to the Department upon request for inspection and/or copying. (§2103.12.a.2.B, IP 0214-I002a)

5. Reporting Requirements

- a. The permittee shall report the following information to the Department in accordance with General Condition III.15 above. The reports shall contain all required information for the time period of the report: (§2102.04.b.6, §2102.04.e, IP 0214-I002a)
 - 1) Monthly and 12-month data required to be recorded by Condition V.A.4.a above; (§2102.04.b.6, §2102.04.e, IP 0214-I002a) and
 - 2) Non-compliance information required to be recorded by Condition V.A.4.b above. (§2102.04.b.6, §2102.04.e, IP 0214-I002a)
- b. Reporting instances of non-compliance, does not relieve the permittee of the requirement to report breakdowns in accordance with Site Level Condition IV.8 above, if appropriate. (§2102.04.b.6, IP 0214-I002a)

6. Work Practice Standard

None except as provided elsewhere.

7. Additional Requirements

None except as provided elsewhere.

B. Process P002: Liquid Asphalt Tank Heater and Tanks

Process Description:	Liquid asphalt tank heater (1) and tanks (3)
Facility ID:	P002
Maximum Heat Input:	1.0 MMBtu/hr.
Fuel:	Natural gas
Capacity:	30,000 gal (each)
Emission Controls:	Pipeline quality natural gas

1. Restrictions

- a. The permittee shall not cause or allow the tank heater to be operated such that emissions of particulate matter exceed 0.008 pounds per 1.0 MMBtu of actual heat input at any time. (§2104.02.a.1)
- b. The permittee shall use pipeline quality natural gas as the fuel for this equipment. (§2102.04.b.6)
- c. The permittee shall not cause or allow visual emissions from the liquid asphalt tank heater to exceed 0% opacity at any time. (§2102.04.b.6, §2102.04.e)
- d. Each liquid asphalt storage tank shall have a closed fixed roof. (§2102.04.e)

2. Testing Requirements:

The Department reserves the right to require emissions testing sufficient to assure compliance with the terms and conditions of this permit. Such testing shall be performed in accordance with Site Level Condition IV.13 above entitled "Emissions Testing." (§2103.12.h.1, 2108.02)

3. Monitoring Requirements:

The permittee shall perform weekly inspections of the tank heater for proper operation and conduct maintenance per manufacturer's specifications. (§2102.04.b.6, §2102.04.e, §2103.12.i)

4. Recordkeeping Requirements:

- a. The permittee shall record natural gas usage on a monthly basis. (§2102.04.b.6, §2103.12.j)
- b. The permittee shall record maintenance activities as they occur. (§2102.04.b.6, §2103.12.j)
- c. The permittee shall record episodes of non-compliance with the terms and conditions of this permit, and corrective actions taken upon occurrence. (§2102.04.b.6, §2103.12.j)
- d. All records shall be retained by the facility for at least five (5) years. These records shall be made available to the Department upon request for inspection and/or copying. (§2103.12.a.2.B)

5. Reporting Requirements:

- a. A monthly summary of natural gas usage and maintenance activities shall be reported to the Department semi-annually per General Condition III.15 above. (§2102.04.b.6, §2103.12.k)

- b. The permittee shall report all instances of non-compliance with Condition V.B.1 above and Condition V.B.3 above, along with all corrective action(s) taken to restore compliance, to the Department semi-annually per General Condition III.15 above. (§2102.04.b.6, §2103.12.k)
- c. Reporting instances of non-compliance with the terms and conditions of this permit does not relieve the permittee of the requirement to report breakdowns per Site Level Condition IV.8 above. (§2102.04.b.6)

6. Work Practice Standard:

The tank heater shall be serviced and tuned as needed, but at least annually, per manufacturer's recommendations and specifications. (§2102.04.b.6)

7. Additional Requirements:

None except as provided elsewhere.

VI. MISCELLANEOUS

A. Process P003: Asphalt Silos and Drag Conveyor

Process Description:	Asphalt Silos (5) and Drag Conveyor
Facility ID:	P003
Capacity:	280 tons (two silos) and 300 tons (three silos)
Daily Throughput:	3,270 tons/day
Emission Controls:	None

1. Restrictions

- a. The drag conveyor shall not operate without its cover in place. (§2102.04.b.6)
- b. The doors at the top of the silos shall be closed except when hot mix asphalt (HMA) is being added to the silos. (§2102.04.b.6)
- c. The doors at the bottom of the silos shall be closed except when HMA is being discharged from the silos to trucks. (§2102.04.b.6)

2. Testing Requirements:

The Department reserves the right to require emissions testing sufficient to assure compliance with the terms and conditions of this permit. Such testing shall be performed in accordance with Site Level Condition IV.13 above entitled "Emissions Testing." (§2103.12.h.1, 2108.02)

3. Monitoring Requirements:

The permittee shall perform weekly inspections of the silos for proper operation and conduct maintenance per manufacturer's specifications. (§2102.04.b.6, §2102.04.e, §2103.12.i)

4. Recordkeeping Requirements:

- a. The permittee shall record episodes of non-compliance with the terms and conditions of this permit, and corrective actions taken upon occurrence. (§2102.04.b.6, §2103.12.j)
- b. All records shall be retained by the facility for at least five (5) years. These records shall be made available to the Department upon request for inspection and/or copying. (§2103.12.a.2.B)

5. Reporting Requirements:

- a. The permittee shall report all instances of non-compliance with Condition VI.A.1 above and Condition VI.A.3 above, along with all corrective action(s) taken to restore compliance, to the Department semi-annually per General Condition III.15 above. (§2102.04.b.6, §2103.12.k)
- b. Reporting instances of non-compliance with the terms and conditions of this permit does not relieve the permittee of the requirement to report breakdowns per Site Level Condition IV.8 above. (§2102.04.b.6)

6. Work Practice Standard:

None except as provided elsewhere.

7. Additional Requirements:

None except as provided elsewhere.

B. Process P004: Aggregate Stockpiles

Process Description:	Aggregate Storage Piles
Facility ID:	P004
Maximum Inventory:	156,000 tons.
Throughput:	600 tons/hr
Emission Controls:	Watering

1. Restrictions

- a. The permittee shall not conduct, or allow to be conducted, any materials handling operation in such manner that emissions from such operation are visible at or beyond the property line. (§2104.05)
- b. The permittee shall take all reasonable actions to prevent fugitive air contaminants from becoming air-borne. Such actions may include, but are not limited to: (§2105.49)
 - 1) The use of asphalt, oil, water or suitable chemicals for dust control; (§2105.49)
 - 2) The paving and maintenance of roadways, parking lots and the like; (§2105.49)
 - 3) The prompt removal of earth or other material which has been deposited by or leaks from transport, erosion or other means; (§2105.49)
 - 4) The adoption of work or other practices to minimize emissions; (§2105.49)
 - 5) Enclosure of the source; and (§2105.49)
 - 6) The proper hooding, venting and collection of fugitive emissions. (§2105.49)
- c. The permittee shall limit the maximum speed of any vehicle utilized in this process to ten (10) miles per hour. (§2104.05, §2105.49)

2. Testing Requirements:

The Department reserves the right to require emissions testing sufficient to assure compliance with the terms and conditions of this permit. Such testing shall be performed in accordance with Site Level Condition IV.13 above entitled "Emissions Testing." (§2103.12.h.1, 2108.02)

3. Monitoring Requirements:

The permittee shall monitor the type and amount of raw materials processed during operations on a daily, monthly, and 12-month rolling total basis. (§2102.04.e, §2103.12.i)

4. Recordkeeping Requirements:

- a. The permittee shall record episodes of non-compliance with the terms and conditions of this permit, and corrective actions taken upon occurrence. (§2102.04.b.6, §2103.12.j)
- b. The permittee shall record the type and amount of raw materials processed during operations on a daily, monthly, and 12-month rolling total basis. (§2102.04.e, §2103.12.j)
- c. All records shall be retained by the facility for at least five (5) years. These records shall be made available to the Department upon request for inspection and/or copying. (§2103.12.a.2.B)

5. Reporting Requirements:

- a. The permittee shall report the type and amount of raw materials processed during operations on a daily, monthly, and 12-month rolling total basis semi-annually per General Condition III.15 above. (§2102.04.e, §2103.12k)
- b. The permittee shall report all instances of non-compliance with Condition VI.B.1 above and Condition VI.B.3 above, along with all corrective action(s) taken to restore compliance, to the Department every six (6) months. (§2102.04.b.6, §2103.12.k)
- c. Reporting instances of non-compliance with the terms and conditions of this permit does not relieve the permittee of the requirement to report breakdowns per Site Level Condition IV.8 above. (§2103.12k)

6. Work Practice Standard:

None except as provided elsewhere.

7. Additional Requirements:

None except as provided elsewhere.

C. Process F001: Roads and Vehicles

Process Description:	Roads and Vehicles
Facility ID:	F001
Parking Lots:	14,400 ft ²
Paved Roads:	0.08 miles
Emission Controls:	Watering/Dust Suppressants/Scraping/Sweeping

1. Restrictions

- a. The permittee shall take actions in order to minimize the potential for fugitive emissions from vehicular traffic, including but not limited to, the following: (§2105.49)
 - 1) The periodic scraping of fine dust from haul roads; (§2105.49)
 - 2) The use of water sprays/dust suppressants; (§2105.49)
 - 3) Periodic street sweeping of paved areas; (§2105.49) and,
 - 4) Maintain vehicle speed below ten (10) miles per hour at all times. (§2105.49)

2. Testing Requirements:

The Department reserves the right to require emissions testing sufficient to assure compliance with the terms and conditions of this permit. Such testing shall be performed in accordance with Site Level Condition **Error! Reference source not found.** entitled "Emissions Testing." (§2103.12.h.1, 2108.02)

3. Monitoring Requirements:

The permittee shall perform weekly inspections of the roadways. (§2102.04.b.6, §2102.04.e, §2103.12.i)

4. Recordkeeping Requirements:

- a. The permittee shall maintain monthly records of: (§2103.12.i)
 - 1) The periodic scraping of fine dust from unpaved and haul roads; (§2103.12.i)
 - 2) The use of water sprays/dust suppressants; (§2103.12.i) and
 - 3) The periodic street sweeping of paved areas. (§2103.12.i)
- b. All records shall be retained by the facility for at least five (5) years. These records shall be made available to the Department upon request for inspection and/or copying. (§2103.12.a.2.B)

5. Reporting Requirements:

None except as provided elsewhere.

6. Work Practice Standard:

None except as provided elsewhere.

7. Additional Requirements:

None except as provided elsewhere.

D. Process D001: Diesel Fuel Storage Tank

Process Description:	Storage Tank
Facility ID:	D001
Capacity:	2,500 gal
Contents:	Diesel Fuel
Emission Controls:	None

1. Restrictions

- a. The permittee shall store only diesel fuel or No. 2 fuel oil in the tank. (§2102.04.b.6)
- b. The sulfur content of the diesel fuel or No. 2 fuel oil stored in the tank shall not exceed 15 ppm. (§2102.04.b.6)

2. Testing Requirements:

The Department reserves the right to require emissions testing sufficient to assure compliance with the terms and conditions of this permit. Such testing shall be performed in accordance with Site Level Condition IV.13 above entitled "Emissions Testing." (§2103.12.h.1, 2108.02)

3. Monitoring Requirements:

The permittee shall monitor the monthly throughput of the fuel tank. (§2103.12.i.)

4. Recordkeeping Requirements:

- a. The permittee shall obtain and maintain on site fuel receipts, from the fuel supplier, that certify that the fuel meets the sulfur content restriction in Condition VI.D.1.b above. (§2102.04.b.6, §2103.12.j)
- b. The permittee shall record the monthly throughput of the fuel tank (§2103.12.j)
- c. The permittee shall record episodes of non-compliance with the terms and conditions of this permit, and corrective actions taken upon occurrence. (§2102.04.b.6, §2103.12.j)
- d. All records shall be retained by the facility for at least five (5) years. These records shall be made available to the Department upon request for inspection and/or copying. (§2103.12.a.2.B)

5. Reporting Requirements:

- a. The permittee shall report the monthly throughput of the fuel tank on a semi-annual basis in accordance with General Condition III.15 above. (§2102.04.b.6, §2103.12.k)
- b. The permittee shall report all instances of non-compliance with Condition VI.D.1 above and Condition VI.D.3 above, along with all corrective action(s) taken to restore compliance, to the Department every six (6) months. (§2102.04.b.6, §2103.12.k)
- c. Reporting instances of non-compliance with the terms and conditions of this permit does not relieve the permittee of the requirement to report breakdowns per Site Level Condition IV.8

above. (§2102.04.b.6, §2103.12.k)

6. Work Practice Standard:

None except as provided elsewhere.

7. Additional Requirements:

None except as provided elsewhere

VII. ALTERNATIVE OPERATING SCENARIOS

There are no alternative operating scenarios for this facility.

VIII. EMISSIONS LIMITATIONS SUMMARY

[This section is provided for informational purposes only and is not intended to be an applicable requirement.]

The annual emission limitations for the Lindy Paving Second Avenue facility are summarized in the following table:

TABLE VII-1 - Emission Limitations Summary

POLLUTANT	ANNUAL EMISSION LIMIT (tons/year)*
PARTICULATE MATTER ²	21.48
PM-10 ²	16.64
PM-2.5 ²	14.95
SULFUR OXIDES	1.281
NITROGEN OXIDES	17.02
CARBON MONOXIDE	48.87
VOLATILE ORGANIC COMPOUNDS	12.008
FORMALDEHYDE	1.16
Total HAPs	2.07

* A year is defined as any consecutive 12-month period.